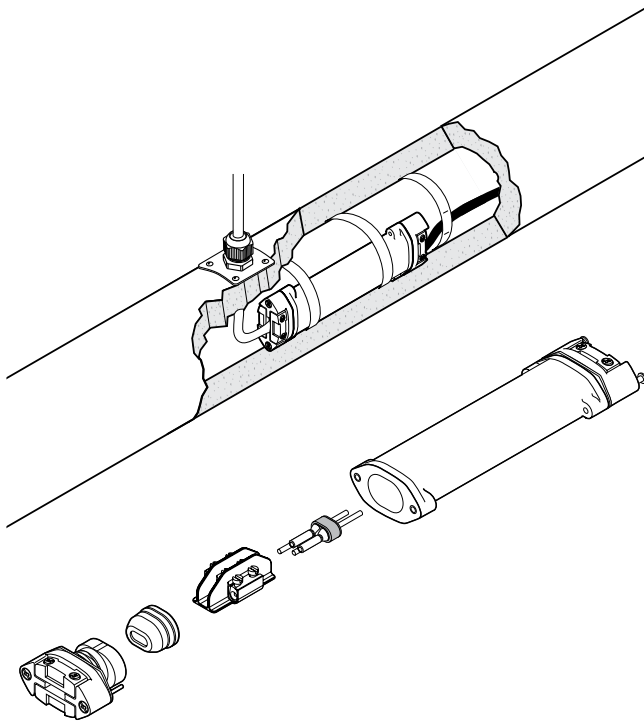


# Raychem C-150-E

COLD APPLIED LOW PROFILE POWER CONNECTION 



The C-150-E is a cold applied low profile power connection. The kit enables in line connection of Raychem industrial heating cables, BTV, QTVR, XTV and KTV, to a flexible power cable. It can be used in applications with temperature ratings from -50°C to 215°C. It is approved for use in hazardous areas.

A Raychem supplied power cable such as C-150-PC may be used or any suitable standard industrial power cable type 3 x 1.5 mm<sup>2</sup> or 3 x 2.5 mm<sup>2</sup> with stranded copper conductors and an outer insulation jacket. The power cable is connected by means of screw terminals to the conductors and the braid of the heating cable.

#### C-150-E is used as connector:

- where connection to a junction box is difficult e.g. because of space limitation
- on instrument lines or loading arms
- where installation of "under insulation" components is preferred
- as a cost effective solution for short heat-tracing lines as an alternative for JBS-100.




#### DESCRIPTION

Cold applied low profile splice for connection of BTV, QTVR, XTV and KTV heating cables to a power cable

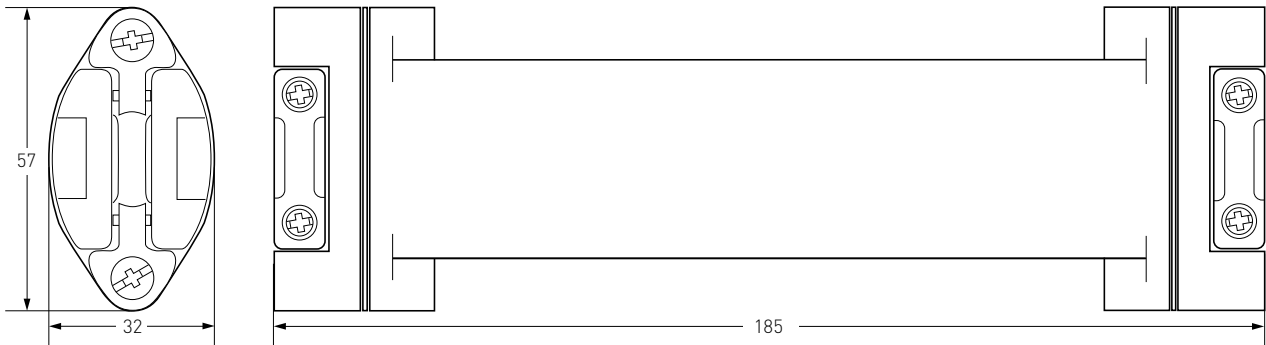
#### KIT CONTENTS

- 1 splice housing assembly including
  - 1 sealing grommet assembly for heater
  - 1 pressure plate/strain relief assembly
- 1 core sealer for heater
- 1 spacer including screw terminal
- 1 sealing grommet assembly for the power cable
- 1 pressure plate/strain relief assembly for the power cable
- 1 identification label
- 1 installation instruction

**APPROVALS**

 Ex e II PTB 09 ATEX 1068 U  
 II 2G Ex e II  
 II 2D Ex tD A21 IP66  
 IECEx PTB 09.0043U  
 Ex e II  
 Ex tD A21 IP66  
 DNV approval  
 DNV Certificate No. E-11564 and E-11565  
 This product also has all required approvals for use in Kazakhstan, Russia and other countries. Contact your local Pentair Thermal Management representative for more details.

**DIMENSIONS (IN MM)**



**PRODUCT SPECIFICATIONS**

Heating cable capability	BTV-CR, BTV-CT, QTVR-CT, XTV-CT, KTV-CT						
Power cable capability	For use with Raychem’s high temperature power cable C-150-PC or for use with other flexible cable such as: H07RN-F, Silicone insulated cables. Minimum and maximum installation and operating temperatures, given by cable manufacturer, have to be considered by designer and installer.						
Power cable dimension	-> outer diameter range 7.8 mm - 12.5 mm -> 3 stranded copper conductors (3 x 2.5 mm <sup>2</sup> or 3 x 1.5 mm <sup>2</sup> ) -> temperature range depending on the application						
Maximum power cable length	Depending on power cable voltage drop and maximum current for Raychem power cable C-150-PC (3 x 2.5 mm <sup>2</sup> ):						
	<table border="1"> <tr> <td>CB 16 A</td> <td>40 m</td> </tr> <tr> <td>CB 20 A</td> <td>32 m</td> </tr> <tr> <td>CB 25 A</td> <td>25 m</td> </tr> </table>	CB 16 A	40 m	CB 20 A	32 m	CB 25 A	25 m
CB 16 A	40 m						
CB 20 A	32 m						
CB 25 A	25 m						
Ingress protection	IP66						
Minimum installation temperature	-50°C						
Maximum pipe temperature	refer to heating cable specification						
Maximum operating voltage	277 Vac						
Maximum current rating	depending on the power cable used and maximum current						

**CONSTRUCTION MATERIALS**

Housing, end plate, shim and spacer	Engineering polymers, black
Sealing grommets	Silicone rubber
Screws, compression spring	Stainless steel

**ORDERING DETAILS**

Part description	C-150-E
PN (Weight)	073704-000 (0.4 kg/0.8 lb)
Pack size	1 bag

**ACCESSORIES**

Power cable	C-150-PC 3-core flexible power cable for connection to C-150-E, 3 x 2.5 mm <sup>2</sup> , silicone insulation, temperature range: -40°C to +180°C, short term: 215°C
-------------	---



[WWW.PENTAIRTHERMAL.COM](http://WWW.PENTAIRTHERMAL.COM)

**EUROPE, MIDDLE EAST, AFRICA**

Tel: +32.16.213.511  
Fax: +32.16.213.603  
[thermal.info@pentair.com](mailto:thermal.info@pentair.com)

**UNITED KINGDOM**

Tel: 0800 969 013  
Fax: 0800 968 6241  
[salesthermaluk@pentair.com](mailto:salesthermaluk@pentair.com)

**IRELAND**

Tel: 1800 654 241  
Fax: 1800 654 240  
[salesie@pentair.com](mailto:salesie@pentair.com)

All Pentair trademarks and logos are owned by Pentair. All other brand or product names are trademarks or registered marks of their respective owners. Because we are continuously improving our products and services, Pentair reserves the right to change specifications without prior notice. Pentair is an equal opportunity employer.

© 2013 Pentair. All Rights Reserved.