

WARNING

You are cautioned that changes or modifications not expressly approved in this document could void your authority to operate this equipment.

To reduce the risk of fire or electric shock, do not expose this apparatus to rain or moisture.

To avoid electrical shock, do not open the cabinet. Refer servicing to qualified personnel only.

NOTE

As the laser is harmful to the eyes, do not attempt to disassemble the cabinet.



CALSS I LASER PRODUCT

Precautions for Use

Use batteries

At the same time, can not use different style or different capacitance batteries. And only charge the rechargeable batteries.

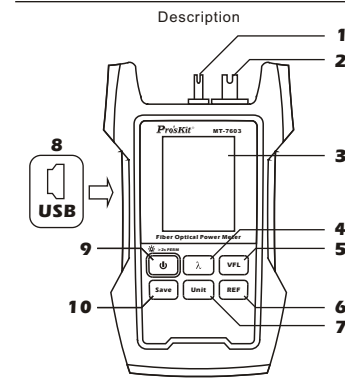
Avoiding condensation problems

As much as possible, avoid sudden temperature changes. Do not attempt to use the drive immediately after moving it from a cold to a warm location, to raising the room temperature suddenly, as condensation may form with in the drive. If the temperature changes suddenly while using the drive,

Stop using it and take out batteries for at least an hour.

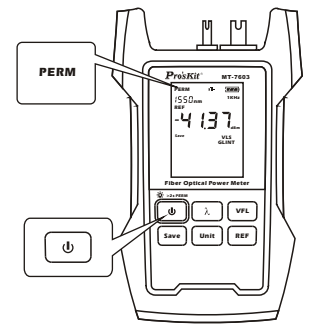
Storage

When long time no use, must take out the batteries to avoid destroying the device.



- 1-VFL connector
- 2-OPM connector
- 3-LCD
- 4-OPM wavelength shift /WAVE ID key
- 5-VFL on/off key
- 6-Reference set/check key
- 7-Unit shift key
- 8-USB
- 9-Power key(Backlight key)
- 10-Data Save/Recall key

Power on/off, auto power off



Press the Power key to turn on the device with auto power off. (After 10 minutes no key pressed, it will auto power off.)

Press Power key for 2 seconds when turn on the device, the auto power off will be cancelled, and the LCD will show "PERM".

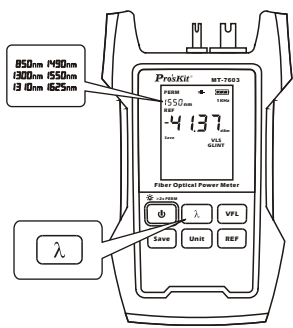
Also press it for 2 seconds to shut the device.

1

2

3

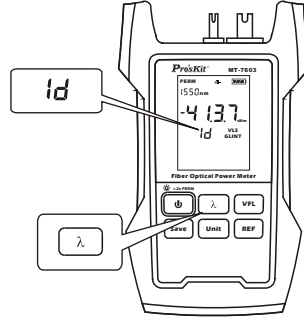
Wavelength select



When testing, you must select the right wavelength. Press the " λ " key for shifting the wavelength from: 850nm,1300nm,1310nm,1490nm,1550nm,1625nm.

4

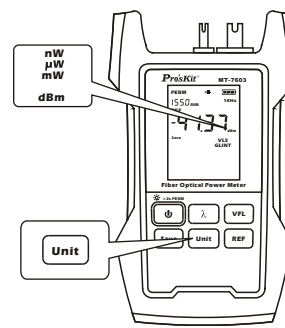
Wavelength ID



Long press " λ " to turn on the WAVE ID and display "id" at the same time. Long press again to exit the WAVE ID.

5

Unit select

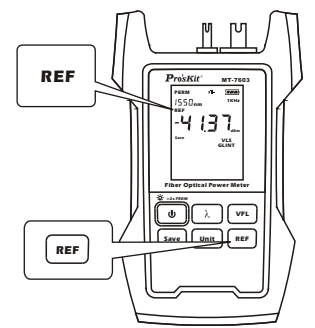


Press the "Unit" key for shifting the unit from: dBm, mW/uW/nW.

mW/uW/nW: 1mW=1000uW, 1uW=1000nW
dBm: (dBm)=10*log(mW)

6

Reference



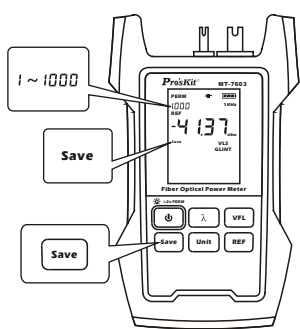
Press "REF" key to check the reference value you set last time, and wait 2 seconds or press "REF" key to exit. And if keep pressing for 2 seconds, you can store the current dBm as a new reference value. Then it automatically shift to dB, and press "Unit" key to exit dB mode.

DB=dBm-REF

You can store the REF value for each wave. Wavelength cannot be switched at REF value viewing interface.

7

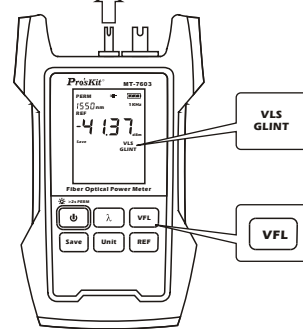
Data Storage



When in testing interface, user can press "Save" key to the History interface, press " λ " key and "Unit" key to check storage date, and press "Save" key again to exit. And press the "Save" key for 2 seconds to save current value.

8

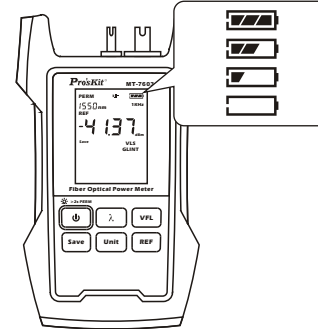
Visual Fault Locator (optional)



The device can build in a optional VFL module, press the VFL key to shift the conditions: on-> glint->off

9

Battery energy detect



- Remain 80%---100%
- Remain 40%---80%
- Remain 20%---40%
- Remain less than 20%

If the energy is too low, the beep will be on and device will auto power off.

10