

Modular Ultra High Density Panels

These panels are designed to accommodate Base-8 , Base-12 and Base-24 variety solutions in a high density and new generation structure.

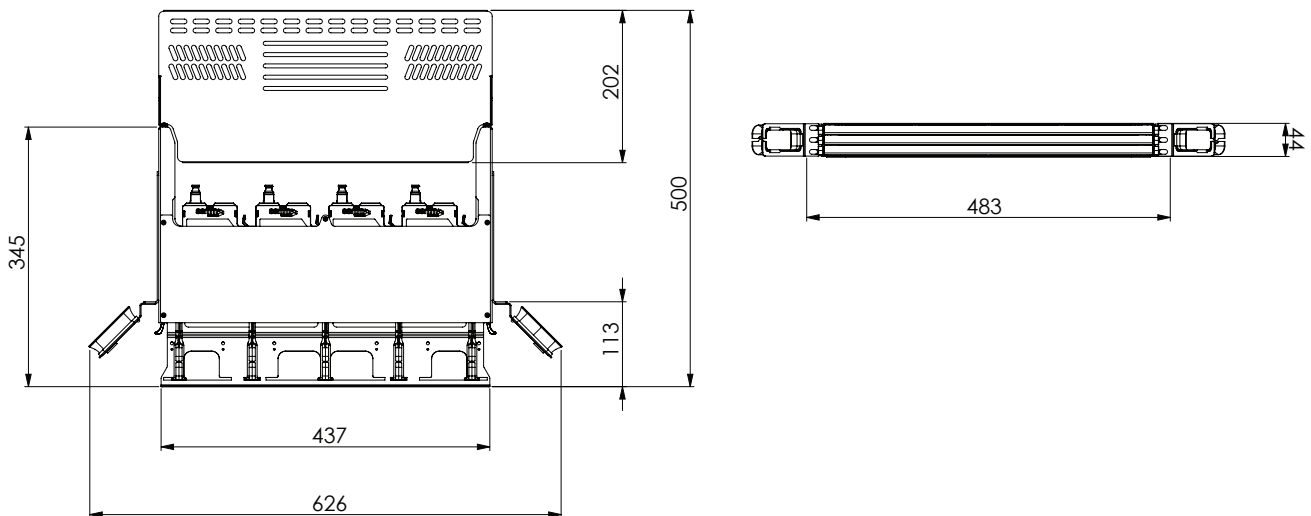
The modular construction combines highest port density with ease of installation. A maximum of 144 LC connectors can be connected on one height unit.



Features

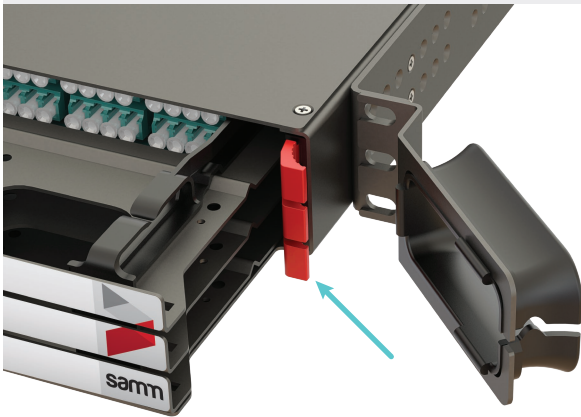
- Modular structure with many different variations
- Configurable tray structure for Base-8, Base-12 and Base-24 topologies
- Patented Rail Design
- In 1U 144 LC connector capacity
- 3 individually sliding trays per 1U for maximum flexibility during operation and installation
- Patch cord management for each individual tray
- Labelling front for module identification
- Sliding and extracting the modules of the trays for better access to cables during installation
- Modules can be removed and installed from the front and rear side of the trays

Dimensions

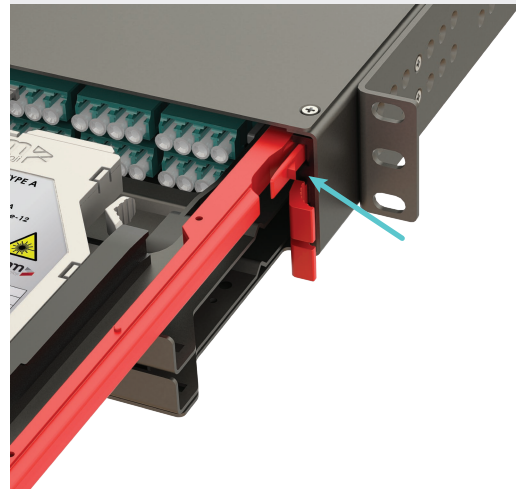


Practical Benefits

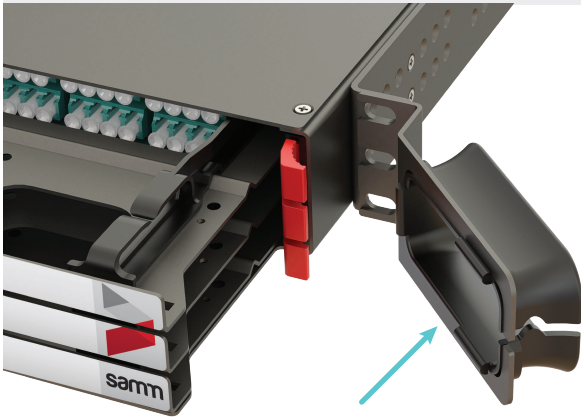
Sliding Tray Lock & Release Arm (Patent Pending)



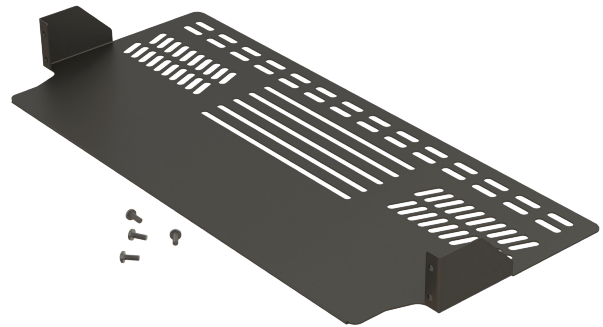
Tray Move-Out Lock Releasing (Patent Pending)



Front Cable Guide



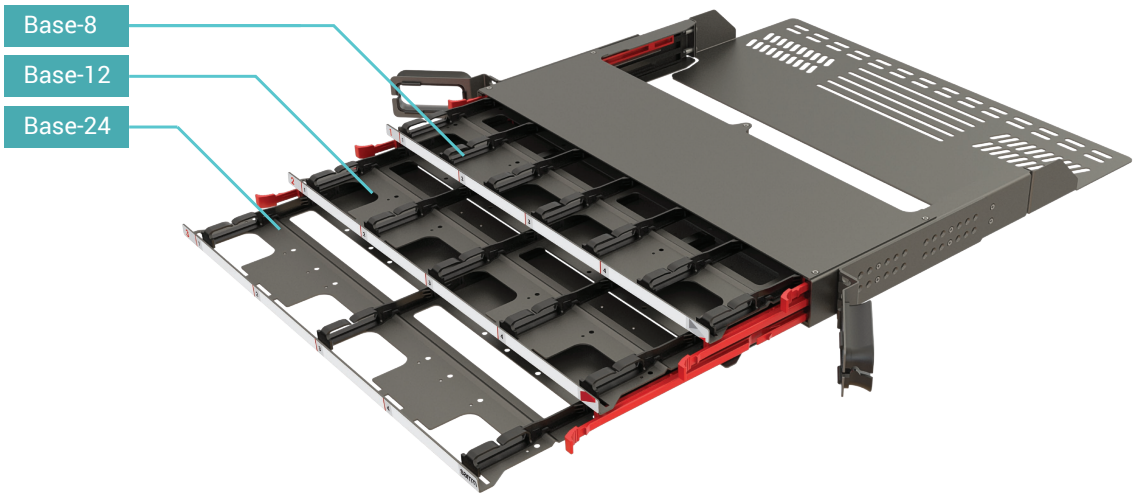
Rear Organizer



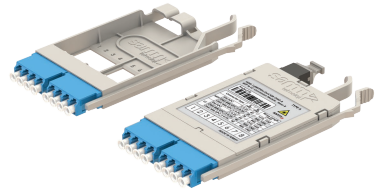
Order Coding

| | |
|-----------------------|--|
| PAN-UHD 1U-B08-BLK-NN | 19" 1U G-Connect HD Panel, Black, 18 Module Capacity, Base-8 |
| PAN-UHD-1U-B12-BLK-NN | 19" 1U G-Connect HD Panel, Black, 12 Module Capacity, Base-12 |
| PAN-UHD-1U-B24-BLK-NN | 19" 1U G-Connect HD Panel, Black, 6 Module Capacity, Base-24 |
| PAN-UHD-1U-REAR-ORG | 19" 1U G-Connect HD Panel Rear Organizer, Black |
| PAN-UHD-1U-FRONT-GUI | 19" 1U G-Connect HD Panel Left/Right Front Cable Management Guides |

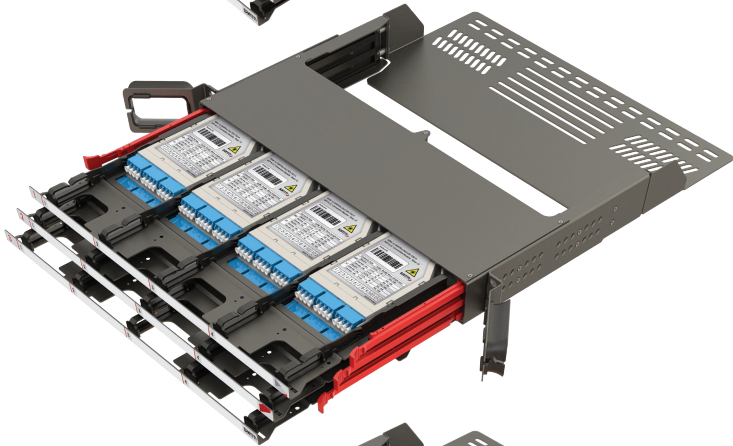
Different Backbone Design Options



Base-8 Panel Configuration



Base-12 Panel Configuration



Base-24 Panel Configuration

