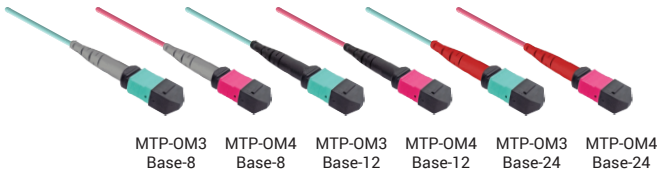
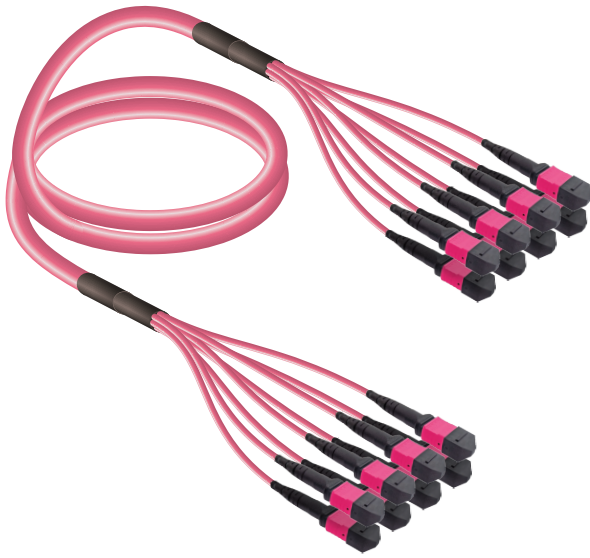
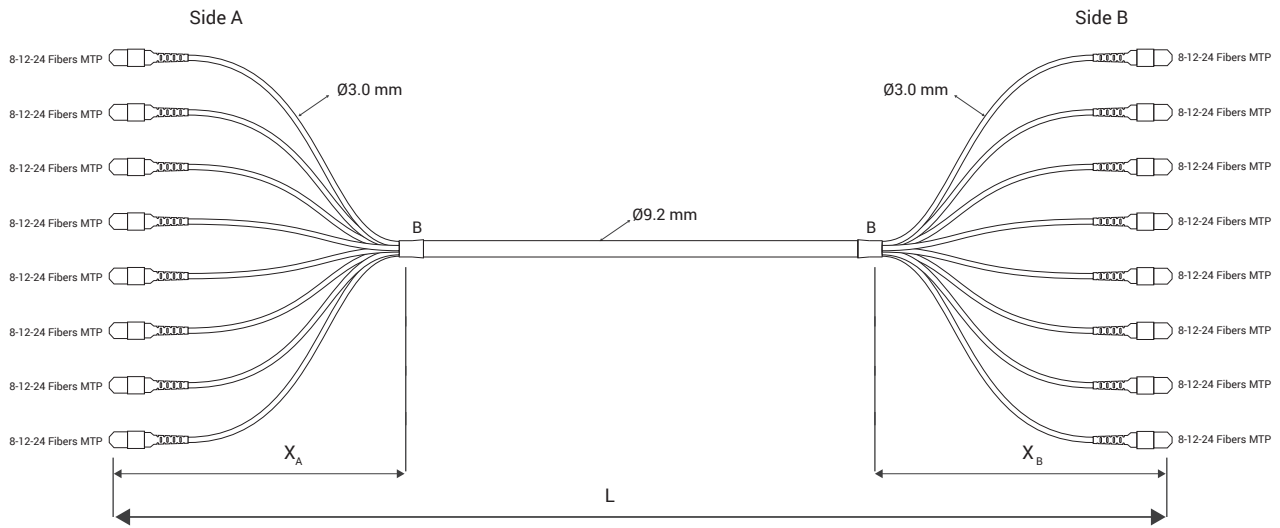


8xMTP-8xMTP Multi Mode Breakout



Properties

MTP Connector Compliance	IEC 61754-7, TIA 604-5, RoHS
Base-8	64 Fibers
Base-12	96 Fibers
Base-24	192 Fibers
Cable Diameter	9.2mm
Subunit Diameter	3.0mm
Operating Temperature	-10°C to +70°C
Flammability	UL94 V-0
Durability	> 100 mating cycles
Transmission with Applied Tensile Load	50 Newton
Insertion Loss: IEC 61300-3-4-MB	Average: 0,10dB, Max: 0,35dB
Return Loss: IEC 61300-3-6-MB	Multimode: ≥ 20dB



* X (Tube Length) is standard 500mm. Please contact us for different tube length.

Sample Coding

I - PC - 96 - MB - 923 - M4 - B - 08MTPEf - 08MTPEf - 005M

Type	Type	Fiber Count	Cable Type	Diameter	Fiber Type	Polarization	1. Connector	2. Connector	Length
Indoor:	I Patch Cord: PC	8x8 Fibers: 64 12x8 Fibers: 96 24x8 Fibers: 192	MTP/Breakout: MB	9.2/3.0mm: 923	MM G.651 OM3: M3 MM G.651 OM4: M4	A Polarization: A B Polarization: B	8xMTP-Female: 08MTPEf 8xMTP-Male: 08MTPEm	8xMTP-Female: 08MTPEf 8xMTP-Male: 08MTPEm	___M