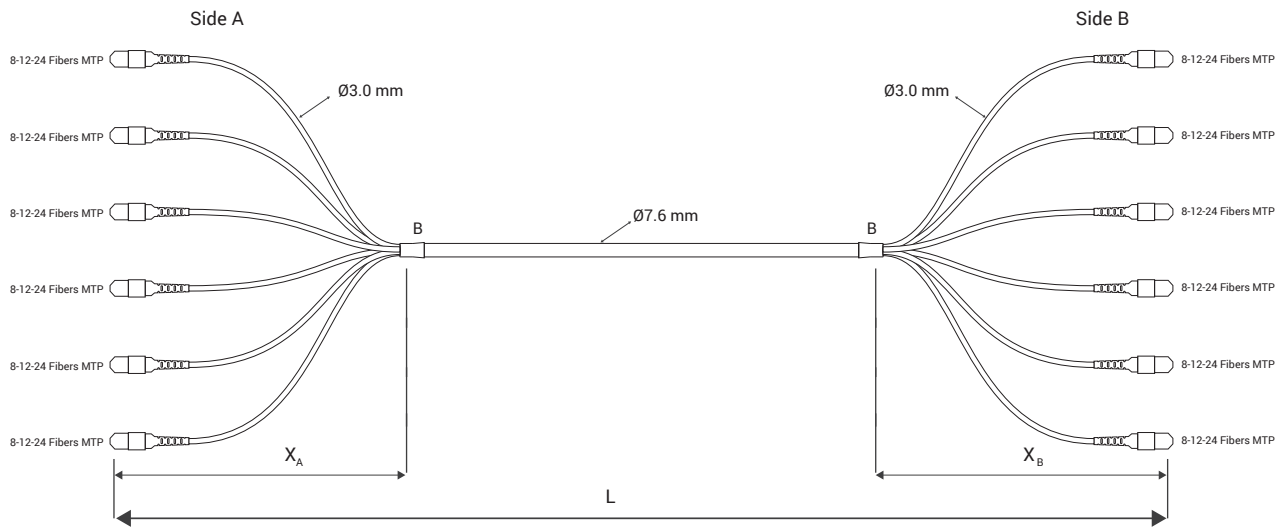
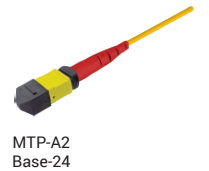
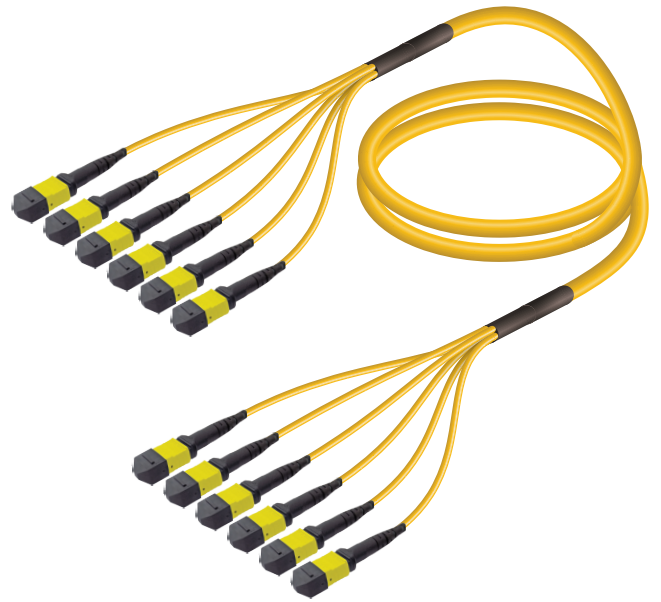


6xMTP-6xMTP Single Mode Breakout

Properties

| | |
|--|------------------------------|
| MTP Connector Compliance | IEC 61754-7, TIA 604-5, RoHS |
| Base-8 | 48 Fibers |
| Base-12 | 72 Fibers |
| Base-24 | 144 Fibers |
| Cable Diameter | 7.6mm |
| Subunit Diameter | 3.0mm |
| Operating Temperature | -10°C to +70°C |
| Flammability | UL94 V-0 |
| Durability | > 100 mating cycles |
| Transmission with Applied Tensile Load | 50 Newton |
| Insertion Loss: IEC 61300-3-4-MB | Average: 0,10dB, Max: 0,35dB |
| Return Loss: IEC 61300-3-6-MB | Singlemode: ≥ 60dB |



* X (Tube Length) is standard 500mm. Please contact us for different tube length.

Sample Coding

I - PC - 72 - MB - 763 - A2 - B - 06MTPEf - 06MTPEf - 005M

| Type | Type | Fiber Count | Cable Type | Diameter | Fiber Type | Polarization | 1. Connector | 2. Connector | Length |
|-----------|----------------|---|------------------|----------------|-----------------|--|--|--|--------|
| Indoor: I | Patch Cord: PC | 8x6 Fibers: 48 12x6 Fibers: 72 24x6 Fibers: 144 | MTP/Breakout: MB | 7.6/3.0mm: 763 | SM G.657 A2: A2 | A Polarization: A B Polarization: B | 6xMTP-Female: 06MTPEf 6xMTP-Male: 06MTPEm | 6xMTP-Female: 06MTPEf 6xMTP-Male: 06MTPEm | ---M |