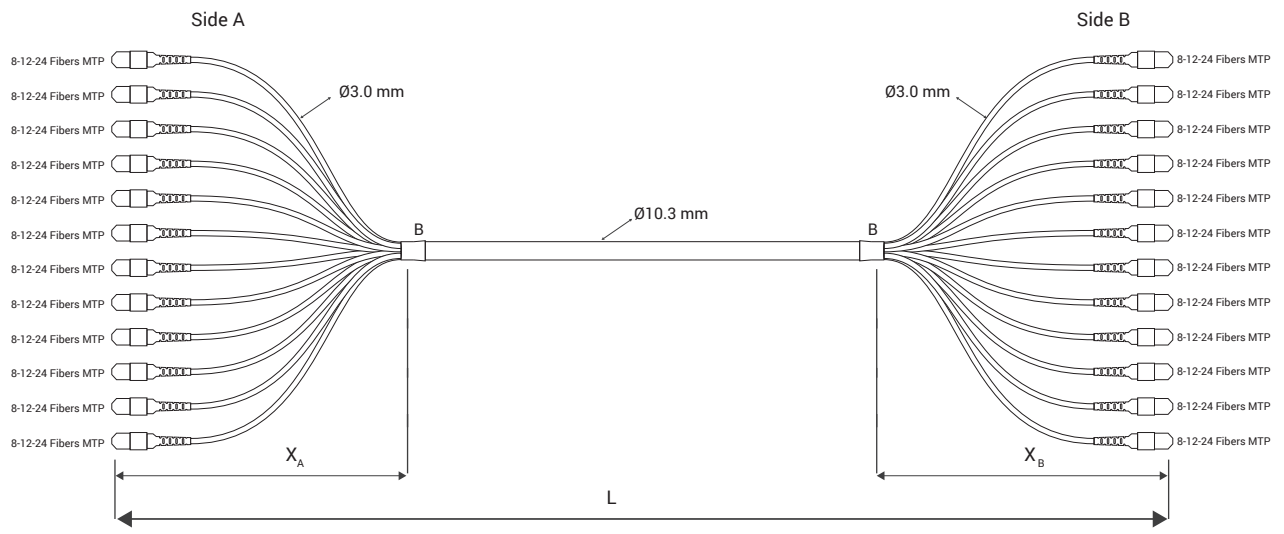
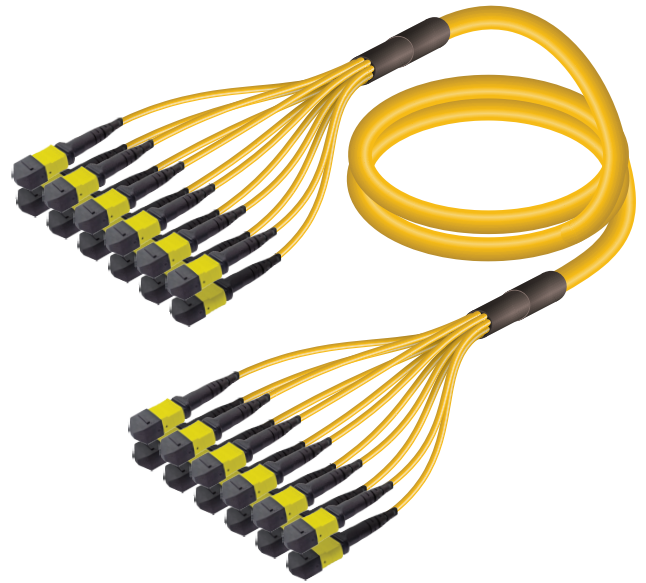


# 12xMTP-12xMTP Single Mode Breakout

## Properties

MTP Connector Compliance	IEC 61754-7, TIA 604-5, RoHS
Base-8	96 Fibers
Base-12	144 Fibers
Base-24	288 Fibers
Cable Diameter	10.3mm
Subunit Diameter	3.0mm
Operating Temperature	-10°C to +70°C
Flammability	UL94 V-0
Durability	> 100 mating cycles
Transmission with Applied Tensile Load	50 Newton
Insertion Loss: IEC 61300-3-4-MB	Average: 0,10dB, Max: 0,35dB
Return Loss: IEC 61300-3-6-MB	Singlemode: ≥ 60dB



\* X (Tube Length) is standard 500mm. Please contact us for different tube length.

Sample Coding

**I - PC - 144 - MB - 103 - A2 - B - 12MTPEF - 12MTPEf - 005M**

Type	Type	Fiber Count	Cable Type	Diameter	Fiber Type	Polorization	1. Connector	2. Connector	Length
Indoor:	I Patch Cord: PC	8x12 Fibers: 96 12x12 Fibers: 144 24x12 Fibers: 288	MTP/Breakout: MB	10.3/3.0mm: 103	SM G.657 A2: A2	A Polorization: A B Polorization: B	12xMTP-Female: 12MTPEf 12xMTP-Male: 12MTPEm	12xMTP-Female: 12MTPEF 12xMTP-Male: 12MTPEm	...M