

Simplex SC Adapters

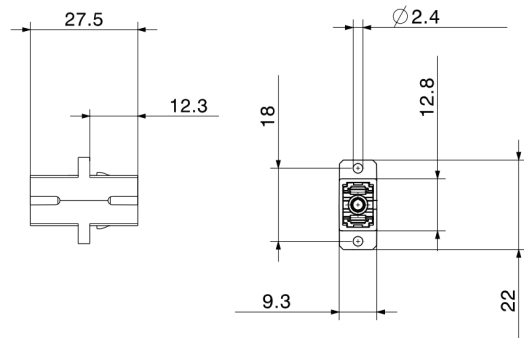
SAMM offers SC adapters in different variations. The SC connector is one of the most common solutions for reliable networks. With the big form ferrule, this connector ensures a reliable optical connection with good mechanical stability. Its push-pull design prevents rotational misalignment.

There are flanged and flangless versions available with many colours options .Adapters meet the international standards IEC 61754-4 / TIA 604-3 and are naturally RoHS/REACH compliant.SC adapters include integrated stainless steel clips for snap mounting on panels.

Characteristics

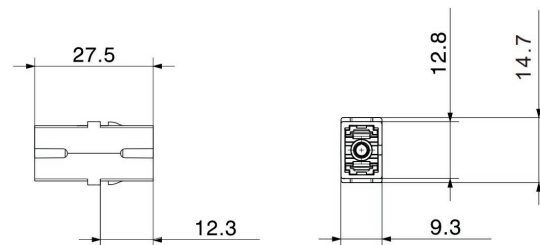
Insertion Loss (Max./Typical)	0.2 / 0.1 dB
Repeatability ΔIL/mating	± 0.1 dB
Operational Temperature	-25 ≤ T ≤ +70 °C
Storage Temperature	-40 ≤ T ≤ +80 °C
Mating Cycles	1000 matings
Alignment Sleeve	Ceramic
Material	LSZH
Flammability	UL94-V0
RoHS	Compliant

SC Simplex Adapters w/ Flange



Order Code	Description	Color
ADP-SC-UPC-SX-SM-B1-CO	SC/UPC Simplex, Single Mode Adapter, w/ Flange	Blue
ADP-SC-APC-SX-SM-B1-CO	SC/APC Simplex, Single Mode Adapter, w/ Flange	Green
ADP-SC-UPC-SX-M2-B1-CO	SC/UPC Simplex, Multi Mode(OM2) Adapter, w/ Flange	Beige
ADP-SC-UPC-SX-M3-B1-CO	SC/UPC Simplex, Multi Mode(OM3) Adapter, w/ Flange	Aqua
ADP-SC-UPC-SX-M4-B1-CO	SC/UPC Simplex, Multi Mode(OM4) Adapter, w/ Flange	Violet

SC Simplex Adapters w/o Flange



Order Code	Description	Color
ADP-SC-UPC-SX-SM-B0-CO	SC/UPC Simplex, Single Mode Adapter, w/o Flange	Blue
ADP-SC-APC-SX-SM-B0-CO	SC/APC Simplex, Single Mode Adapter, w/o Flange	Green
ADP-SC-UPC-SX-M2-B0-CO	SC/UPC Simplex, Multi Mode(OM2) Adapter, w/o Flange	Beige
ADP-SC-UPC-SX-M3-B0-CO	SC/UPC Simplex, Multi Mode(OM3) Adapter, w/o Flange	Aqua
ADP-SC-UPC-SX-M4-B0-CO	SC/UPC Simplex, Multi Mode(OM4) Adapter, w/o Flange	Violet