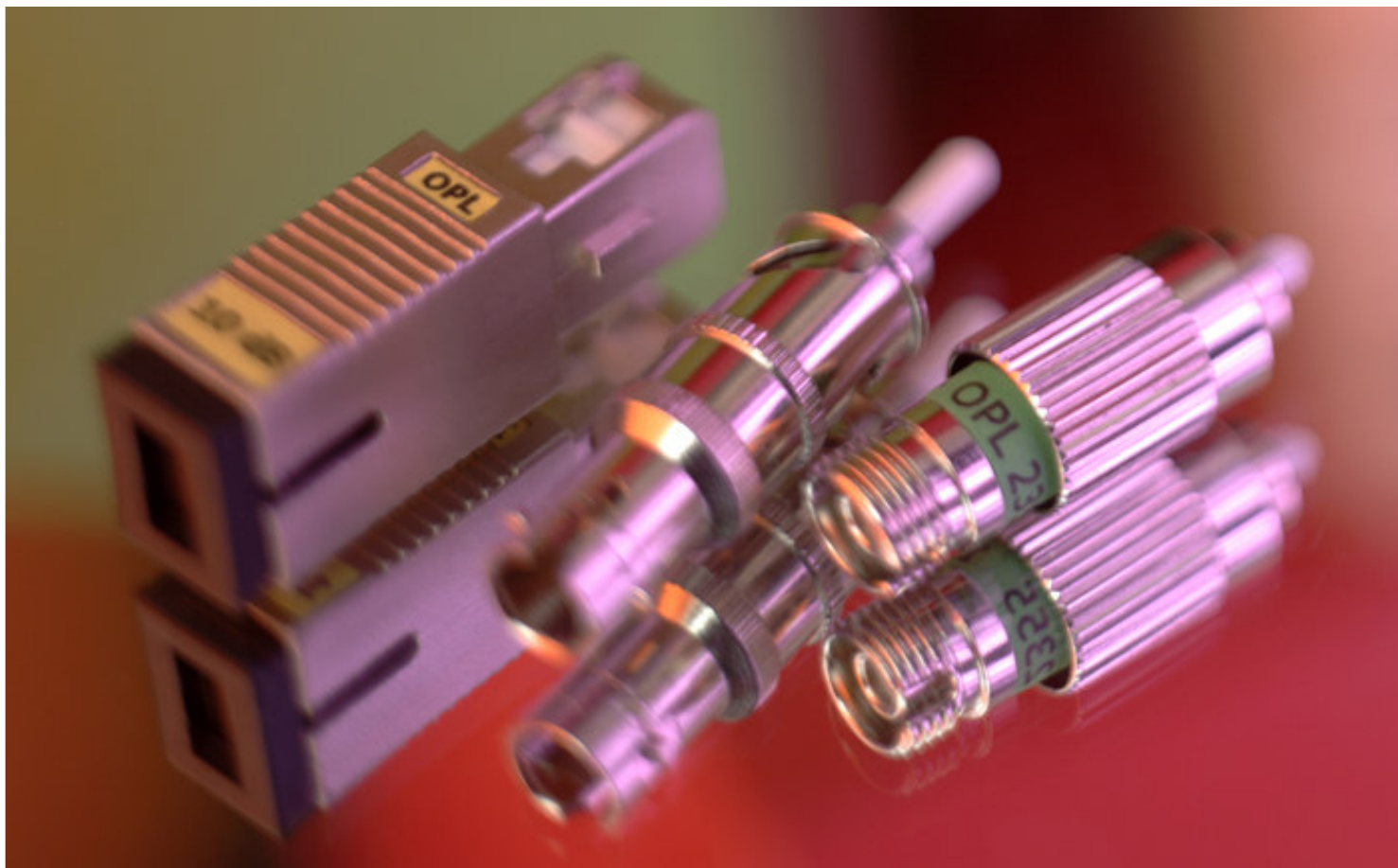
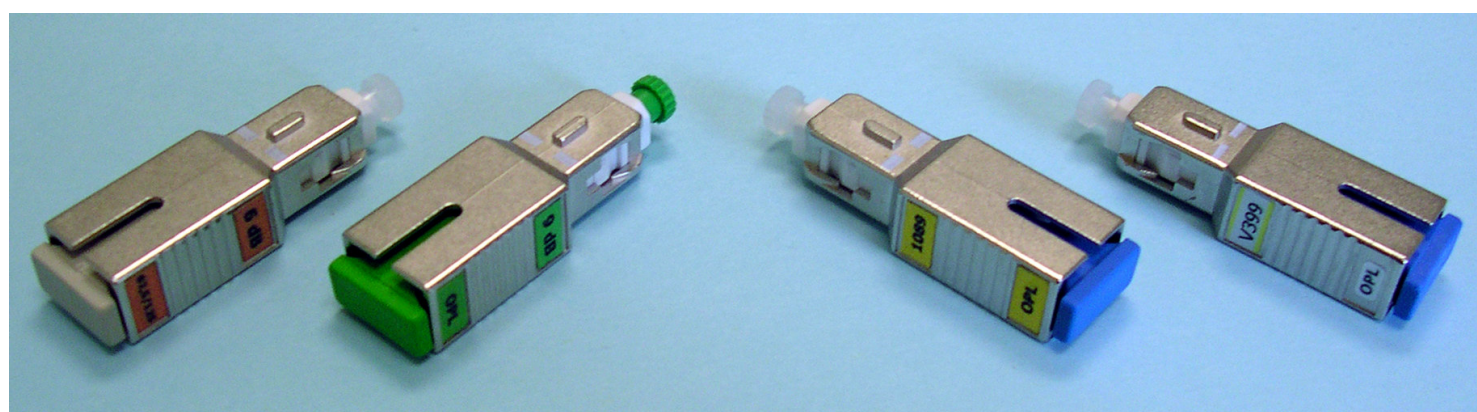


SC SM Plug-type Attenuator



T E C H N I C A L S P E C I F I C A T I O N



GENERAL

This specification concerns the requirement of the SC singlemode Plug-type Attenuator.

MODELS AVAILABLE

The SC Plug-type Attenuator is available in the following standard versions:

- PC singlemode: blue rear dust cap, yellow label.
- APC singlemode: green dust caps, green label.
- Multimode: beige rear dust cap, orange label.

OPTICAL CHARACTERISTICS

Attenuated Fibre Characteristics

Fibre	Long Metal Attenuated Fibre with mode cladding suppression to eliminate modal noise present in the cladding.
Wavelength	1310 and 1550 nm \pm 40 nm
Polarisation Dependent Loss (PDL)	< 0.1 dB
Power Endurance	100 mW
Peak Power Endurance	15 minutes exposure of 900 mW power light

Typical Attenuation Tolerance

Nominal Value (dB)	Standard Tolerance (dB)	Narrow Tolerance (dB)
1 ÷ 5	\pm 0.5	\pm 0.3
6 ÷ 10	\pm 0.7	\pm 0.5
11 ÷ 20 and 25	\pm 1.0	\pm 0.8

Other attenuation tolerances are available on request.

Return Loss (dB)

	SPC	UPC	UPC Premium	APC
SM	> 45	> 50	> 55	> 60

M E C H A N I C A L C H A R A C T E R I S T I C S

- Mating durability > 1.000 connections.

E N V I R O N M E N T A L S P E C I F I C A T I O N

	min	max
Operating Temperature (°C)	-25	+80
Storage Temperature (°C)	-40	+85

P A C K A G I N G

The SC Plug-type Attenuator has four labels:

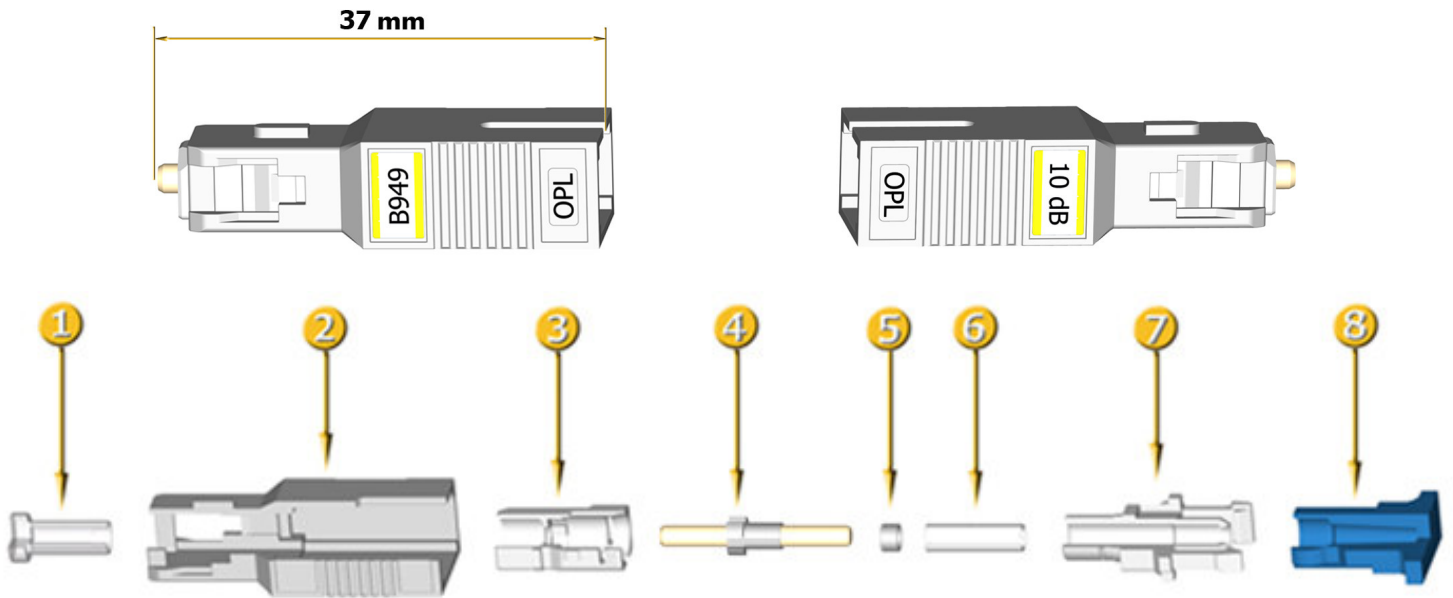
- Attenuation Value – xx dB
- Identification Number - xxxx
- OPL logo on both sides

Each attenuator is packed as standard in plastic transparent bag with label including optical main characteristics and the identification number.

Each carton box labelled with product description and quantity contains 50 single packaging.

Custom labels and packaging are available on request.

TECHNICAL DRAWINGS



MATERIALS

N°	Component	Material
1	Ferrule Cap	PE LD
2	External Housing	Nickel Plated Zinc Alloy
3	Internal Housing	PBT 20% FRP
4	Ferrules with Flange	Zirconia and Metal
5	Ring	Metal
6	Sleeve	Zirconia
7	Sleeve Retainer	PBT 20% FRP
8	Rear Dust Cap	PBT 20% FRP

The Product is **RoHS compliant**.

All the components of the attenuator are **UL94-V0 compliant**.

END OF SPECIFICATION