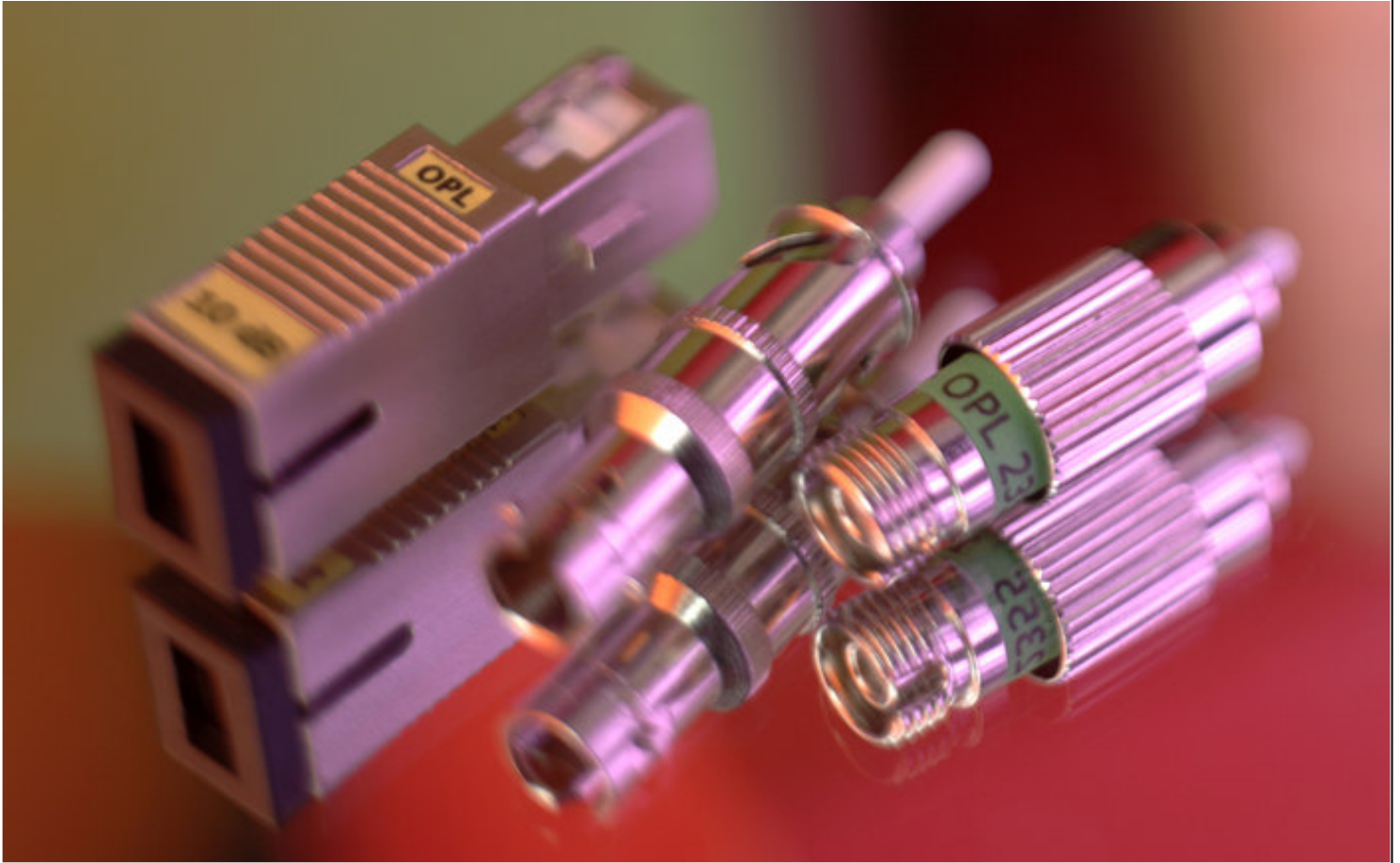


# FC SM Plug-type Attenuator



## T E C H N I C A L   S P E C I F I C A T I O N



# GENERAL

This specification concerns the requirement of the FC singlemode Plug-type Attenuator.

## MODELS AVAILABLE

The FC Plug-type Attenuator is available in the following standard versions:

- PC singlemode: black dust caps, yellow label.
- APC singlemode: green dust caps, green label.
- Multimode: black dust caps, orange label.

## OPTICAL CHARACTERISTICS

### Attenuated Fibre Characteristics

<b>Fibre</b>	Long Metal Attenuated Fibre with mode cladding suppression to eliminate modal noise present in the cladding.
<b>Wavelength</b>	1310 and 1550 nm $\pm$ 40 nm
<b>Polarisation Dependent Loss (PDL)</b>	< 0.1 dB
<b>Power Endurance</b>	100 mW
<b>Peak Power Endurance</b>	15 minutes exposure of 900 mW power light

### Typical Attenuation Tolerance

Nominal Value (dB)	Standard Tolerance (dB)	Narrow Tolerance (dB)
1 $\div$ 5	$\pm$ 0.5	$\pm$ 0.3
6 $\div$ 10	$\pm$ 0.7	$\pm$ 0.5
11 $\div$ 20 and 25	$\pm$ 1.0	$\pm$ 0.8

Other attenuation tolerances are available on request.

## Return Loss (dB)

	SPC	UPC	UPC Premium	APC
SM	> 45	> 50	> 55	> 60

## M E C H A N I C A L C H A R A C T E R I S T I C S

- Mating durability > 1000 connections.

## E N V I R O N M E N T A L S P E C I F I C A T I O N

	min	max
Operating Temperature (°C)	-25	+80
Storage Temperature (°C)	-40	+85

## P A C K A G I N G

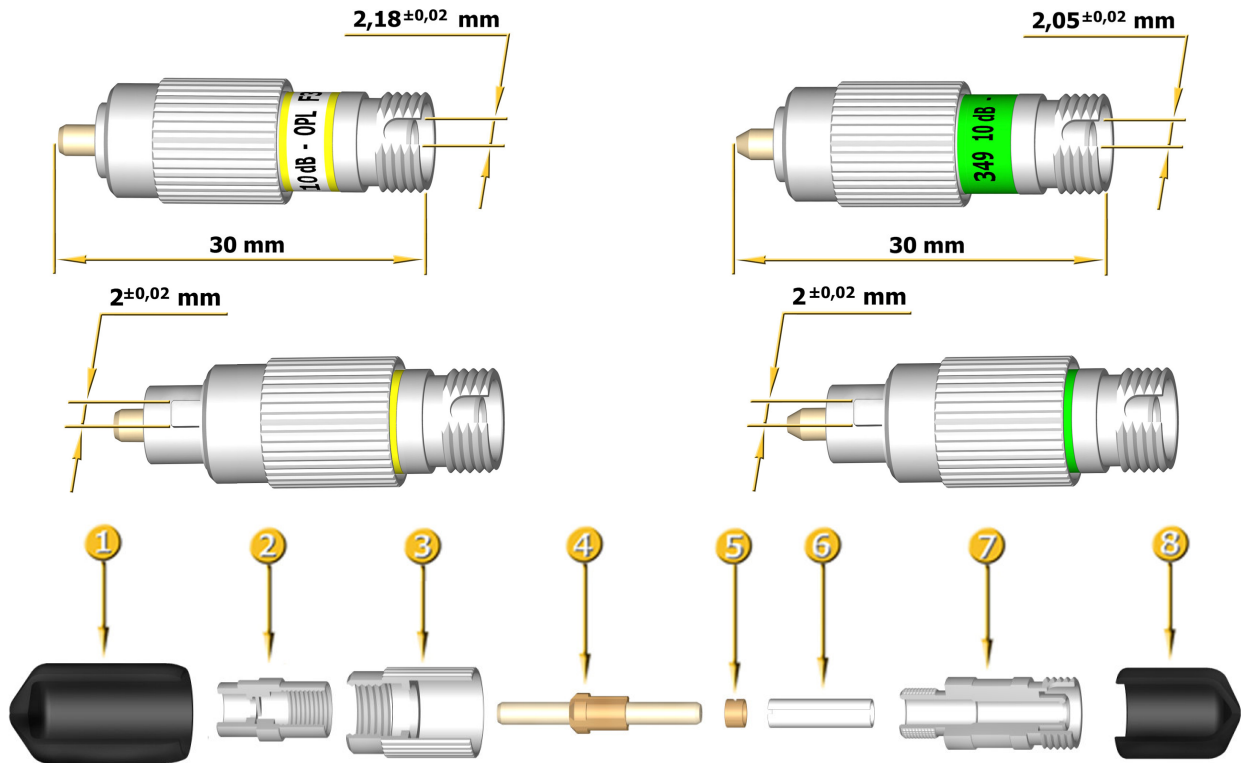
The FC Plug-type Attenuator has one label around the body with:

- Attenuation Value – xx dB
- Identification Number - xxxx
- OPL logo

Each attenuator is packed as standard in plastic transparent bag with label including optical main characteristics and the identification number.

Each carton box labelled with product description and quantity contains 50 single packaging. Custom labels and packaging are available on request.

# TECHNICAL DRAWINGS



# MATERIALS

N°	Component	Material
1	Front Dust Cap	Vinyl
2	Front Body	Nickel Plated Zinc Alloy
3	Coupling Nut	Nickel Plated Brass
4	Ferrules with Flange	Zirconia and Metal
5	Ring	Metal
6	Sleeve	Zirconia
7	Rear Body	Nickel Plated Brass
8	Rear Dust Cap	Vinyl

The Product is **RoHS compliant**.

All the components of the attenuator are **UL94-V0 compliant** excluding the Dust Caps **UL 94-V1**.

# END OF SPECIFICATION