

FIST-MCO

FIST metal closure organizer

FIST is a fiber infrastructure system technology.

The FIST-MCO is a single-ended metal closure specially developed for use on optical grounding wires of overhead electrical power network lines.

The closure is suitable for use above ground; it can be attached to high voltage towers, poles, walls or other support structures.

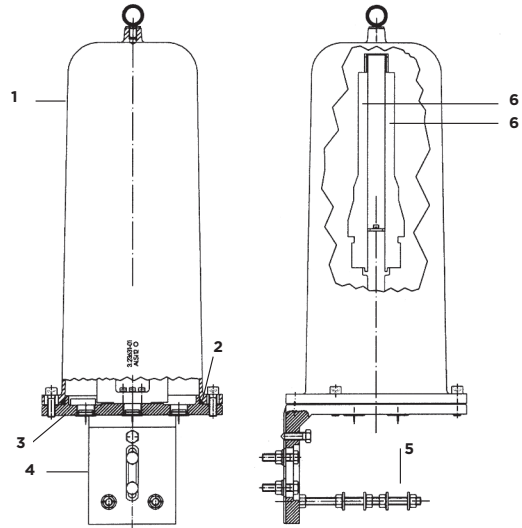
The FIST-MCO has many special functions and features.

- Single-ended design
- The dome and base are made of a corrosion-free aluminum alloy with low moisture/vapor permeability and high mechanical strength
- 6 round entry/exit cable ports are provided in the base
- Termination and sealing of optical grounding wires and conventional fiber optic cables
- Cable seals are manufactured from heat-shrinkable material
- One model can be used for track joint, spur joint, external node or distribution point applications
- Two back-to-back pre-mounted raised FAS (fiber arrangement system) plates provide the foundation for mounting combinations of SOSA (splice only sub-assembly) and/or SASA (splitter array sub-assembly) modules
- A wide range of accessories is available for a complete installation

Dimensions, capacities and ordering information

FIST-MCO-BE6	
Dimensions (in mm)	
Length (incl. mounting bracket)	800
Diameter at base section	290
Diameter of dome (external)	227
Weight (in kg)	17
FAS data	
Number of FAS plates	2
Units per FAS plate	38
Splicing capacity (in # fibers)	
Single Circuit, primary coated (*)	152
Single Element, primary coated (*)	384
Cable ports	
Number of round cable ports	6
Cable ø range	9-25 mm

(*) The maximum splicing capacity depends on the cable type and quantity, the fiber splicing configuration and the cable ports involved.



- | | | | |
|---|-------------------|---|--------------------------------|
| 1 | Dome | 4 | Mounting bracket |
| 2 | Base sealing ring | 5 | Bolts to position cable clamps |
| 3 | Base | 6 | FAS plate |

FIST-MCO-BE6 - 2 - XXX

1st cable feed-through

Cable type	Cable dia. (mm)	OPGW cable type*		Select
		(A) Central core with plastic loose tubes Tube dia.(mm)	(B) Metal loose tubes only Number of metal tubes	
No cable feed-through				
OPGW	9.0-13.9	< 6.5	1	A
	11.1-17.9	6.5-10.4	2	B
	14.0-17.9	< 6.5	1	C
		10.5-14.5	2 or 3	D
	18.0-25.0	< 6.5	1	E
		6.5-10.4	2	F
		10.5-14.5	3	G
FO cable	9.0-13.9	NA	NA	J
	14.0-17.9	NA	NA	K
	18.0-22.0	NA	NA	L

Cable clamp selection (*)

N No cable clamps

A For cables with dia. 10-14 mm

B For cables with dia. 14.1-20 mm

C For cables with dia. 20.1-26 mm

When cables of different diameters have to be clamped, select the clamp for the largest cable dia.

2nd Cable feed-through

Same options as for 1st cable feed-through.

* The selection of the feed-through depends on the type of cable:

Typically OPGW cable consists out of

- central core with plastic loose tubes inside (column A) or
- metal loose tubes only (column B)

Accessories and tools

See FIST-MCO ordering guide

TE (logo) and TE Connectivity are trademarks of the TE Connectivity group of companies and its licensors.

The information given herein, including drawings, illustrations and schematics which are intended for illustration purposes only, is believed to be reliable. However, TE Connectivity makes no warranties as to its accuracy or completeness and disclaims any liability in connection with its use. TE Connectivity's obligations shall only be as set forth in TE Connectivity's Standard Terms and Conditions of Sale for this product and in no case will TE Connectivity be liable for any incidental, indirect or consequential damages arising out of the sale, resale, use or misuse of the product. Users of TE Connectivity products should make their own evaluation to determine the suitability of each such product for the specific application.

Tyco Electronics Raychem bvba

Diestsesteenweg 692

3010 Kessel-Lo, Belgium

Tel 32-16 351 011 (USA)1-919-557-8900

Fax 32-16 351 697 (USA)1-919-557-8498

www.te.com

www.telecomnetworks.com

TC 521/DS/7 12/05

