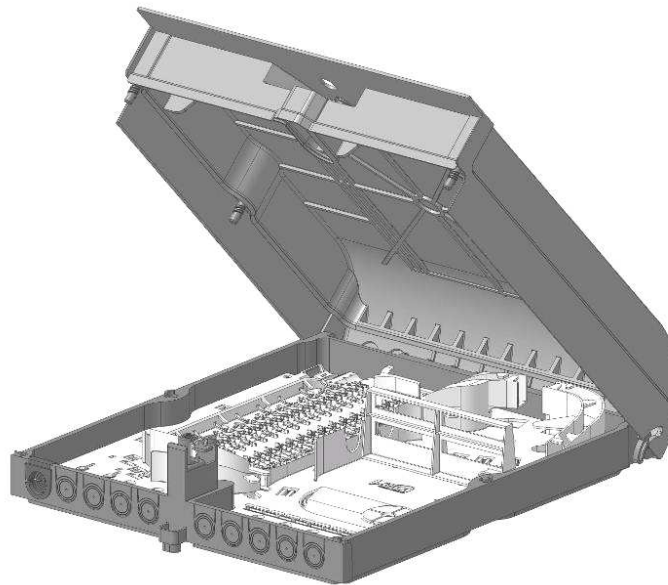




Fiber optic distribution and termination enclosure - OptiBox 32 (OTB32)

Product description

The optical distribution enclosure (OptiBox32) impresses due to its simple design, its wide application range and its customer-friendly handling during installation and maintenance.

The OTB32 is typically used as a fiber optic distribution and termination enclosure, which is ideally suited for splicing, patching and accommodating passive optical components. The installation-friendly plastic enclosure is typically used by telecom customers (FTTH / FITH) and is designed for indoor and outdoor wall mounting (IP56).

A number of mounting points offer users the option of fastening multi-fiber loose tube cables, riser cables, micro cables, patch cords, pre-assembled cable systems or micro conduits, including optional gas/water blockers.

The clearly-defined and easily accessible fiber storage and fiber routing guides are bending radius protected and provide the necessary protection against mechanical influences.

The OTB32 can be equipped with various ACS-series cassettes on a modular basis. It enables both single and multi-circuit fiber management, as well as simple installation of passive components such as splitters or WDMs.

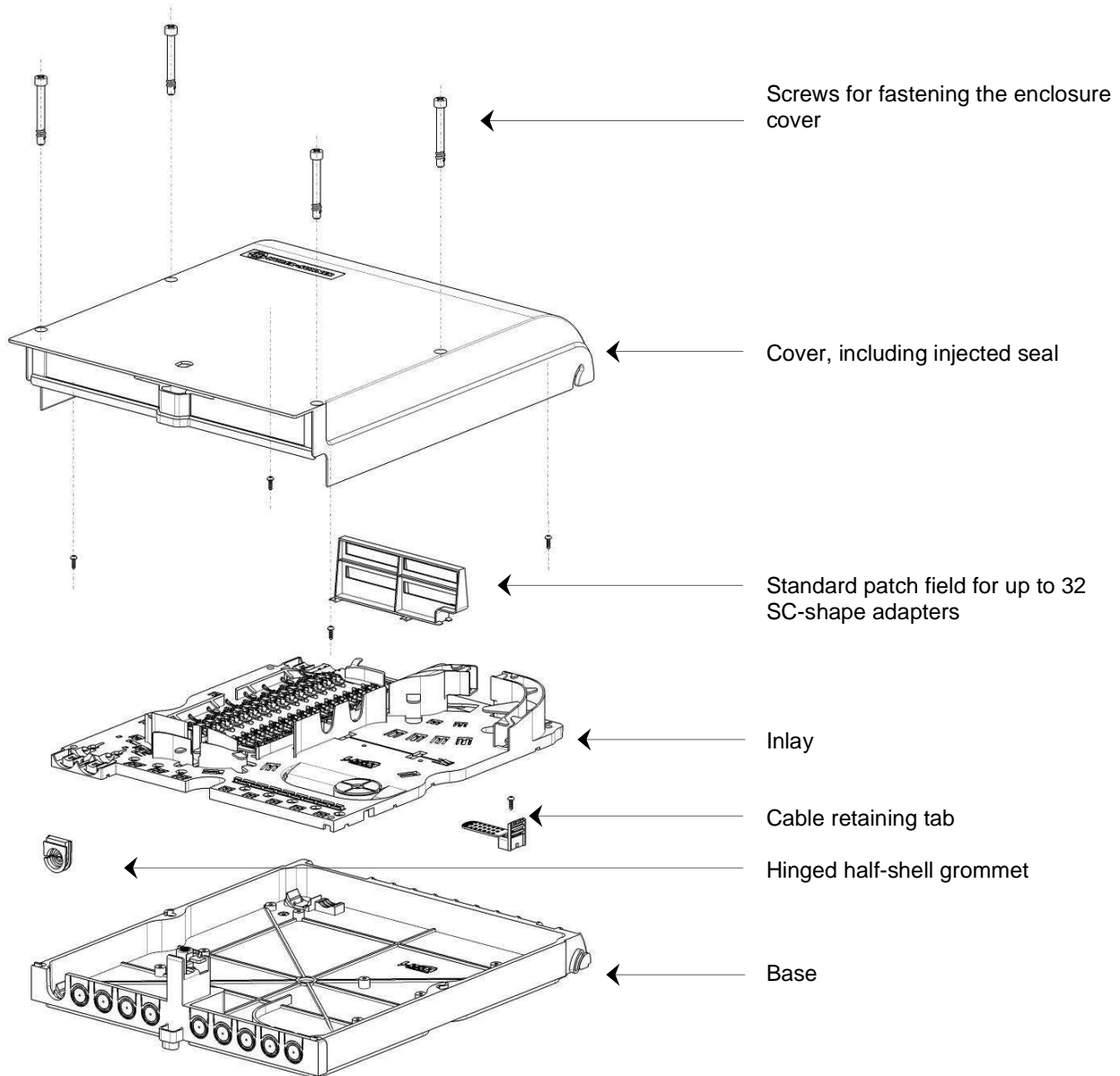
Characteristics

- Splice and patch enclosure comprising a base, fiber inlay and cover
- Patch panel for up to 32 SC-shape adapters (LC Duplex, LX.5 Duplex, SC, E-2000™)
- Can be equipped with up to 16 ACS splice cassettes (multi-circuit or single-circuit management)
- Can be equipped with up to 8 ACS splitter cassettes (several splitters can be installed in each cassette)
- Cable inputs: two below and one above
- Cable outputs: one above and eight below
- Hinged half-shell grommets ensure simple cable entry and exit
- Bending radius protected fiber overlength storage ($r \geq 28$ mm)
- Pigtail to pigtail configuration
- Optionally with lock
- UV-resistant enclosure
- Enclosure meets the requirements for moderate outdoor applications (IP54/IP65).



Fiber optic distribution and termination enclosure - OptiBox 32 (OTB32)

Product overview



Scope of delivery (standard)

As standard, the OTB32 comprises a base, an inlay, including a standard patch field, and a cover. In addition, 10 hinged half-shell grommets and 8 cable fixing latches are supplied.

In the standard version, additional components such as splice cassettes, adapters, pigtails etc. are supplied separately.

The enclosure, including all additional components, is supplied together with installation instructions.



DATA SHEET



Fiber optic distribution and termination enclosure - OptiBox 32 (OTB32)

Technical data

| Features | Value |
|--|--|
| Dimensions (W x L x H) | 407 x 518 x 107 mm |
| Non-detachable connection capacity (splices) | Up to 384 |
| Detachable connection capacity (connectors) | 32 x SC and E-2000 TM , 64 x LC and LX.5, |
| Capacity for ACS cassette system | |
| ACS – MCM splice cassettes (≤ 24 splices) | 16 |
| ACS – SCM splice cassettes (≤4 splices) | 16 |
| ACS – SPL splitter cassettes | 8 |
| Dimensions of cables or blow-in conduit systems with use of grommets | Ø 3 – 18 mm |
| Material: | |
| enclosure (cover and base) | PC |
| Inlay | PC / ABS |
| Colour: | |
| enclosure (cover / base) | RAL 7047, telegrey 4 |
| Inlay | RAL 7047, telegrey 4 |
| Grommet | RAL 9005, jet black |
| Type of protection (EN60529) | IP56 |
| Impact strength (EN62262) | IK07 |
| Temperature resistance (short-term) | -40° to +85°C |
| Flammability rating, enclosure | UL 94V-0 |
| UV resistance: | resistant |
| RoHS requirements | fully met |
| Halogen-free | yes (except hinged half-shell grommets) |



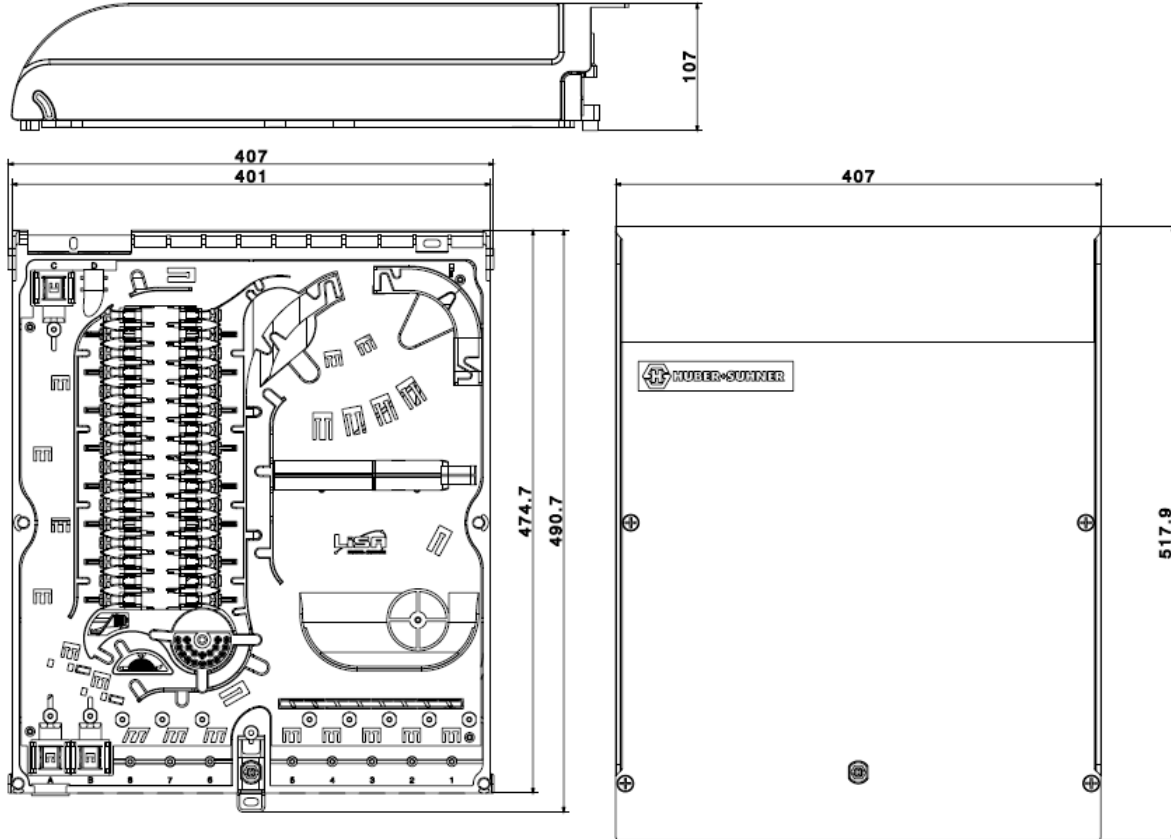
DATA SHEET



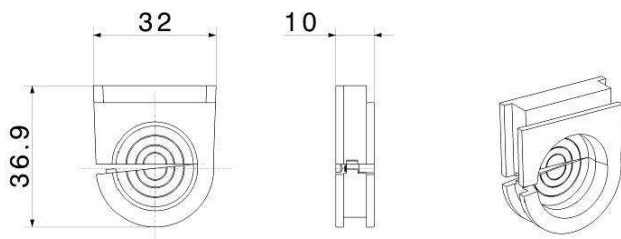
Fiber optic distribution and termination enclosure - OptiBox 32 (OTB32)

Technical drawing

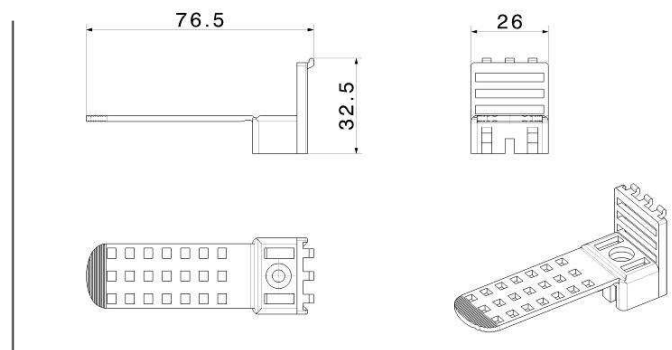
Enclosure



Hinged half-shell grommet



Cable fixing latch





DATA SHEET



Fiber optic distribution and termination enclosure - OptiBox 32 (OTB32)

Accessories and spare parts

| | Article number | Documents / links |
|--|----------------|-----------------------------------|
| Strain-relief clip for central elements | 84010409 | LiSA catalogue (84101813) |
| ACS cassette SCM (single-circuit cassette) | 84123331 | FITH catalogue (84128278) |
| ACS cassette MCM (multi-circuit cassette) | 84123330 | FITH catalogue (84128278) |
| ACS cassette SPC (splitter cassette) | 84123332 | FITH catalogue (84128278) |
| ACS cassette cover, small (SCM) | 84123616 | FITH catalogue (84128278) |
| ACS cassette cover, small (MCM, SCM, SPC) | 84123617 | FITH catalogue (84128278) |
| Splice protection sleeves (heat shrink and sandwich) | various | FITH catalogue (84128278) |
| Splice protectors (heat shrink and sandwich) | various | FITH catalogue (84128278) |
| Grommet 3-18 mm | 84123347 | FITH catalogue (84128278) |
| Cable fixing latch | 84123348 | FITH catalogue (84128278) |
| Adapters | various | LiSA catalogue (84101813) |
| Pigtails | various | LiSA catalogue (84101813) |
| Lock | 84130196 | (Detailed information on request) |

Relevant documents

| | |
|-------------------------------------|---------------------------------|
| Optibox Ordercode | DOC-0000390305 |
| Optibox32 Installation instructions | DOC-0000392662 |
| IP Test - Protocol (X5 / 6X) | DOC-0000386149 / DOC-0000390224 |
| IK Test - Protocol | DOC-0000387464 |
| Cabling options | DOC-0000390278 |

Further information

FITH microsite www.fiberinthehome.com
H+S website www.hubersuhner.com

HUBER+SUHNER is certified according to ISO 9001 and ISO 14001



HUBER+SUHNER AG
Fiber Optics Division
9100 Herisau/Switzerland
Tel. +41 (71) 353 41 11
Fax +41 (71) 353 46 47

Note
It is exclusively in written agreements that we provide our customers with warrants and representations as to the technical specifications and/or the fitness for any particular purpose. The facts and figures contained herein are carefully compiled to the best of our knowledge, but they are intended for general information purposes only.