

FIBER OPTIC WALL BOX (FOWB)

What is FOWB?

TE Connectivity's Fiber Optic Wall Box is a fiber enclosure for indoor use in Multi Dwelling Units (MDUs). The FOWB has been designed for fast FTTH deployment and easy customer connection. Its reduced size and high capacity make it possible to connect up to 24 households on a small form factor footprint.

Features and benefits

- Accommodates up to 24 termination/splice connections
- Up to 12 SC simplex or 24 LC adapters
- Splice capacity up to 24 splices
- Lockable with encoded screw or lead-wire seal
- When mounted on a wall, an additional cover protects patch cords and drop cables from unintended or unauthorized disconnection
- IP20 rated
- RoHS compliant

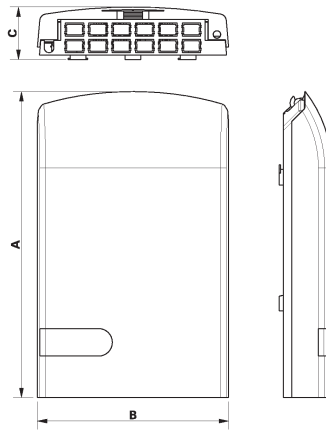
Applications

- The 19-inch panel can be mounted without any accessories
- Mounts either directly to a wall, to a mounting plate or in a 19-inch rack
- The panel supports three mounting directions for the wall box: left, middle and right
- 2 cable entrances from top and bottom for cable diameters from 3 to 7 mm
- Operating temperature: -25° C to +70°C
- Material: PC - FR light grey (RAL 7035) halogen free, LSZH-1, conforms to UL94 V-O

Dimensions (H x W x D)

220 x 140 x 35 mm (box only)

1U x 19" x 230 mm (box with panel)



Ordering information

FOWB - T - X XX XX

Configuration

- A Adapters only
- P Pigtailed and adapters
- N Empty

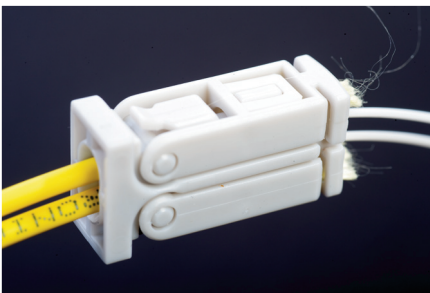
Number of connections

- 04
- 08
- 12
- 16 } LC adapters
- 24 } only
- NN -

Adapter type

- S1 SC/UPC
- S2 SC/APC
- L1 LC/UPC
- L2 LC/APC
- NN -

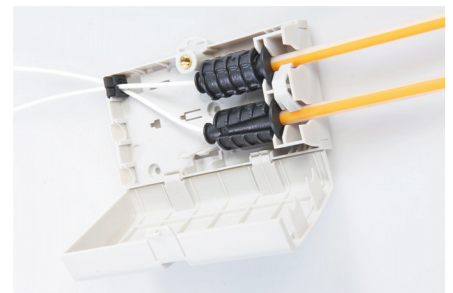
Accessories



- Drop cable strain relief 2 x 3 mm
KTU-2x3mm-00
- Drop cable strain relief 1 x 4,2 mm
KTU-1x4mm-00



19-inch panel for FOWB
19-INCH-PANEL



Blown fiber junction box
JUNCTION-BOX

For more technical options and order quantity information, please consult the product ordering guides or your local sales representative.

TE (logo) and TE Connectivity are trademarks of the TE Connectivity group of companies and its licensors.

The information given herein, including drawings, illustrations and schematics which are intended for illustration purposes only, is believed to be reliable. However, TE Connectivity makes no warranties as to its accuracy or completeness and disclaims any liability in connection with its use. TE Connectivity's obligations shall only be as set forth in TE Connectivity's Standard Terms and Conditions of Sale for this product and in no case will TE Connectivity be liable for any incidental, indirect or consequential damages arising out of the sale, resale, use or misuse of the product. Users of TE Connectivity products should make their own evaluation to determine the suitability of each such product for the specific application.

Tyco Electronics Raychem bvba
 Diestsesteenweg 692
 3010 Kessel-Lo, Belgium
 Tel 32-16 351 011 (USA)1-919-557-8900
 Fax 32-16 351 697 (USA)1-919-557-8498
 www.te.com
 www.telecomnetworks.com
 TC 1128/DS/3 06/13

