

BUDI-S-T FIST Splice/Patch

Building distribution enclosure

What is BUDI?

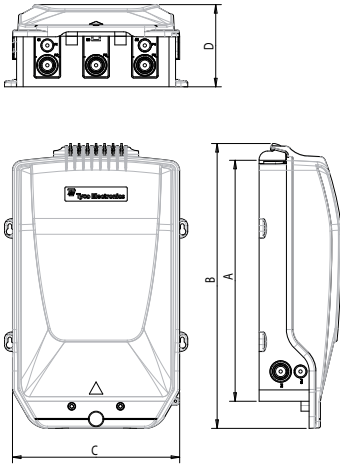
BUDI is a product range of compact wall mountable fiber enclosures for indoor and outdoor use. The enclosures are specifically designed for fast deployment and easy customer connection.

Available with splicing and/or patching capabilities, high connector density, small and larger footprints, they offer flexible solutions for a wide range of applications in the access network.

Features

- The BUDI wall boxes are designed to operate in category C (controlled), category G (outdoor ground level) and category A (aerial) as characterized by IEC 61753-1
- Materials are LSZH; fire retardant
- UV stable material for outdoor above ground use
- Multiple cable ports available and bottom cable seal blocks are wrap around
- Possibility to integrate passive optical components
- Removable enclosure lid
- Capacity up to 24 SC connectors or 48 LC. Other connector types can be made available as well
- Compatible with pre-tailed Mini-Breakout cable
- FSASA splitter integration compatible
- Accommodates a cable loop
- Lock with key available
- Multiple accessories available to terminate and seal different cable types

Dimensions



Size	BUDI-S
A: Height box (mm)	425
B: Height cover (mm)	500
C: Width (mm)	295
D: Depth (mm)	145

Non-filled box

BUDI-S- T - X

- A** No Lock
- B** With lock

Pre-filled box

BUDI - S - T - X-XX XX XX X X

Locking

- A** No lock
- B** With lock

Adapters and pigtails*

- 12**
- 16**
- 24**
- 36** LC only
- 48** LC only
- NN** no adapters

Adapter type*

- S1** SC/UPC
- S2** SC/APC
- L1** LC/UPC
- L2** LC/APC
- NN** -

Splice holder

- S** SMOUV
- N** No splice

Type of tray

- C** FIST-SOSA2-SC tray
- E** FIST-SOSA2-SE tray
- N** no tray

Splices

- 00**
- 12**
- 16**
- 24**
- 36**
- 48**
- Ex. 24C splices =
12 FIST-SOSA2-SC
trays

* Pigtails and adapters are included in the packaging but not pre-installed in the product.

For more technical options and order quantity information, please consult the product ordering guides or your local sales representative.

FIST, TE (logo) and TE Connectivity are trademarks of the TE Connectivity group of companies and its licensors.

The information given herein, including drawings, illustrations and schematics which are intended for illustration purposes only, is believed to be reliable. However, TE Connectivity makes no warranties as to its accuracy or completeness and disclaims any liability in connection with its use. TE Connectivity's obligations shall only be as set forth in TE Connectivity's Standard Terms and Conditions of Sale for this product and in no case will TE Connectivity be liable for any incidental, indirect or consequential damages arising out of the sale, resale, use or misuse of the product. Users of TE Connectivity products should make their own evaluation to determine the suitability of each such product for the specific application.

Tyco Electronics Raychem bvba
 Diestsesteenweg 692
 3010 Kessel-Lo, Belgium
 Tel 32-16 351 011 (USA)1-919-557-8900
 Fax 32-16 351 697 (USA)1-919-557-8498
 www.te.com
 www.telecomnetworks.com
 TC 1127/DS/1 09/12

