



BUDI-1S

home - **EnLighten**
FTTH Solutions

Building distribution enclosure - splice patch with FIST

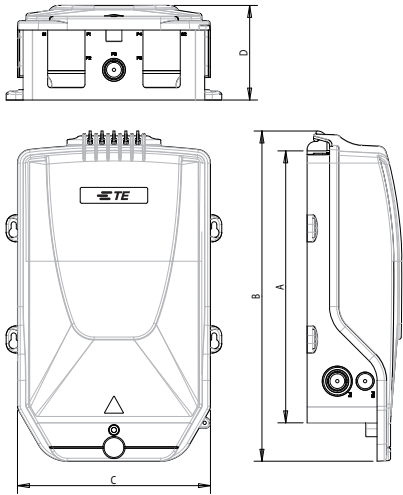
What is BUDI?

BUDI is a product range of compact wall mountable fiber enclosures for indoor and outdoor use. The enclosures are specifically designed for fast deployment and easy customer connection.

Available with splicing and/or patching capabilities, high connector density, small and larger footprints, they offer flexible solutions for a wide range of applications in the access network.

Features

- The BUDI wall boxes are designed to operate in category C (controlled), category G (outdoor ground level) and category A (aerial) as characterized by IEC 61753-1
- Materials are LSZH; fire retardant
- UV stable material for outdoor above ground use
- Multiple cable ports available and bottom cable seal blocks are wraparound
- Possible integration of passive optical components
- Removable enclosure lid
- The splice/patch version has a capacity of 16 SC connectors or 32 LC. Other connector types available
- Compatible with pre-tailed Mini-Breakout cable
- For FIST splice applications minimum 16 UMS units for splice version and 8 UMS for splice/patch version. This UMS version available to mount SOSA splice cassette system
- A cable loop can be stored for mid-span access
- Lock with key available
- Multiple accessories available to terminate and seal different cable types
- FSASA splitter integration compatible



Size

	BUDI-1S
A: Height box (mm)	340
B: Height cover (mm)	420
C: Width (mm)	240
D: Depth (mm)	120

Capacities

BUDI-1S	BUDI-1S-SP Splice	BUDI-1S-T Splice/Patch
UMS available for splicing cassettes	16	8
Splice capacity with SE trays (12/tray)	96	48
Splice capacity with SC trays (2/tray)	32	16
Patch panel capacity SC/LC	NA	16/32
Loop capability	Yes	Yes

Non-filled box

BUDI-1S-X-X

SP FIST splice version, no patch panel
T Termination patch panel and FIST splice trays

A No Lock
B TE Lock and key No1

Filled box

BUDI - 1S - T - X - XX XX XX X X

Locking

A No lock
B With lock

Adapters and pigtails*

12
16
24 LC only
32 LC only
NN no adapters

Adapter type*

S1 SC/UPC
S2 SC/APC
L1 LC/UPC
L2 LC/APC
NN -

Splice holder

S SMOUV
N No splice

Type of tray

C FIST-SOSA2-SC
E FIST-SOSA2-SE
N no tray

Splices

16
24 FIST-SOSA2-SE only
32 FIST-SOSA2-SE only
 Ex. 24E splices =
 2 FIST-SOSA2-SE
 trays

* Pigtails and adapters are included in the packaging but not pre-installed in the product.

For more technical options and order quantity information, please consult the product ordering guides or your local sales representative.

FIST, TE (logo) and TE Connectivity are trademarks of the TE Connectivity group of companies and its licensors.

The information given herein, including drawings, illustrations and schematics which are intended for illustration purposes only, is believed to be reliable. However, TE Connectivity makes no warranties as to its accuracy or completeness and disclaims any liability in connection with its use. TE Connectivity's obligations shall only be as set forth in TE Connectivity's Standard Terms and Conditions of Sale for this product and in no case will TE Connectivity be liable for any incidental, indirect or consequential damages arising out of the sale, resale, use or misuse of the product. Users of TE Connectivity products should make their own evaluation to determine the suitability of each such product for the specific application.

Tyco Electronics Raychem bvba

Diestsesteenweg 692

3010 Kessel-Lo, Belgium

Tel 32-16 351 011 (USA)1-919-557-8900

Fax 32-16 351 697 (USA)1-919-557-8498

www.te.com

www.telecomnetworks.com

TC 1080/DS/2 09/12

